


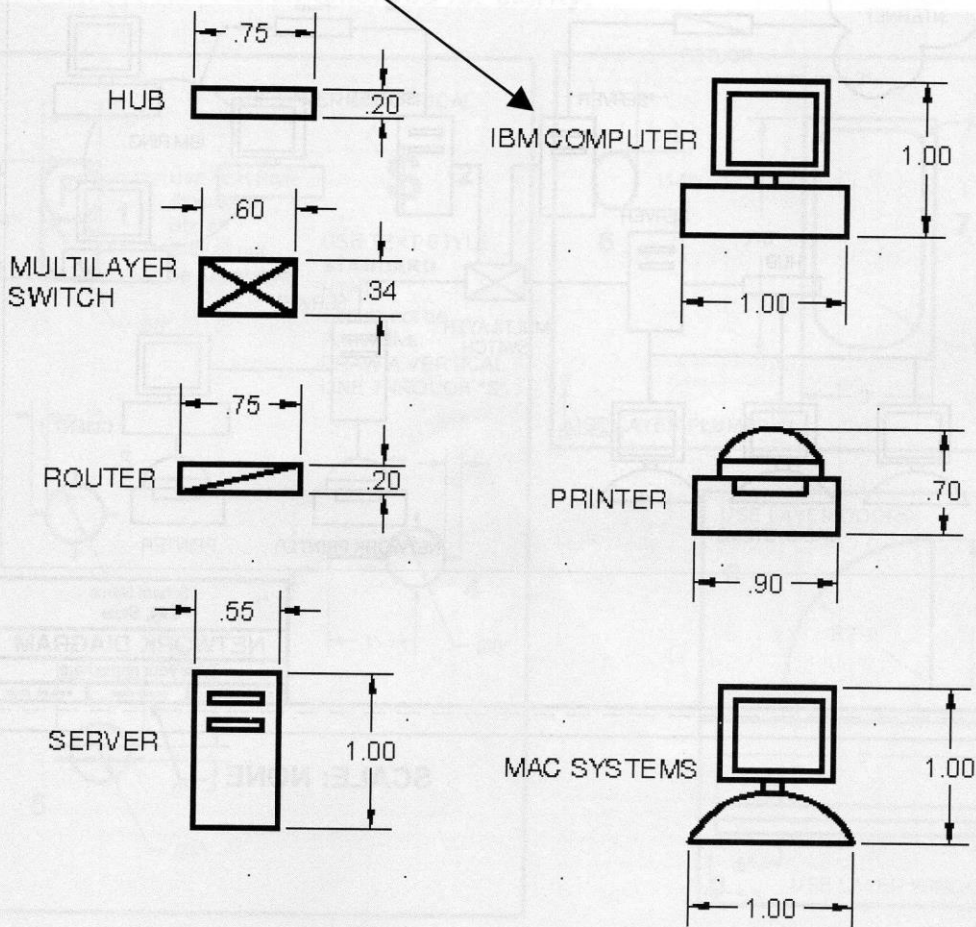
EXERCISE 29A

STEP 1

1. Start a **NEW** file using **My Decimal Setup.dwt**.
2. Select the **Model** tab 
3. Draw the objects shown below approximately as shown. Use Layer Symbol.
4. Do not dimension
5. Create a block of each.
 - A. **Important:** Don't forget to select a "**Base Point**" somewhere on each object.
 - B. Select "**Delete**" so they disappear as they are made.


Retain
 Convert to block
 Delete
 - C. Do not include the name when selecting the objects for each block.

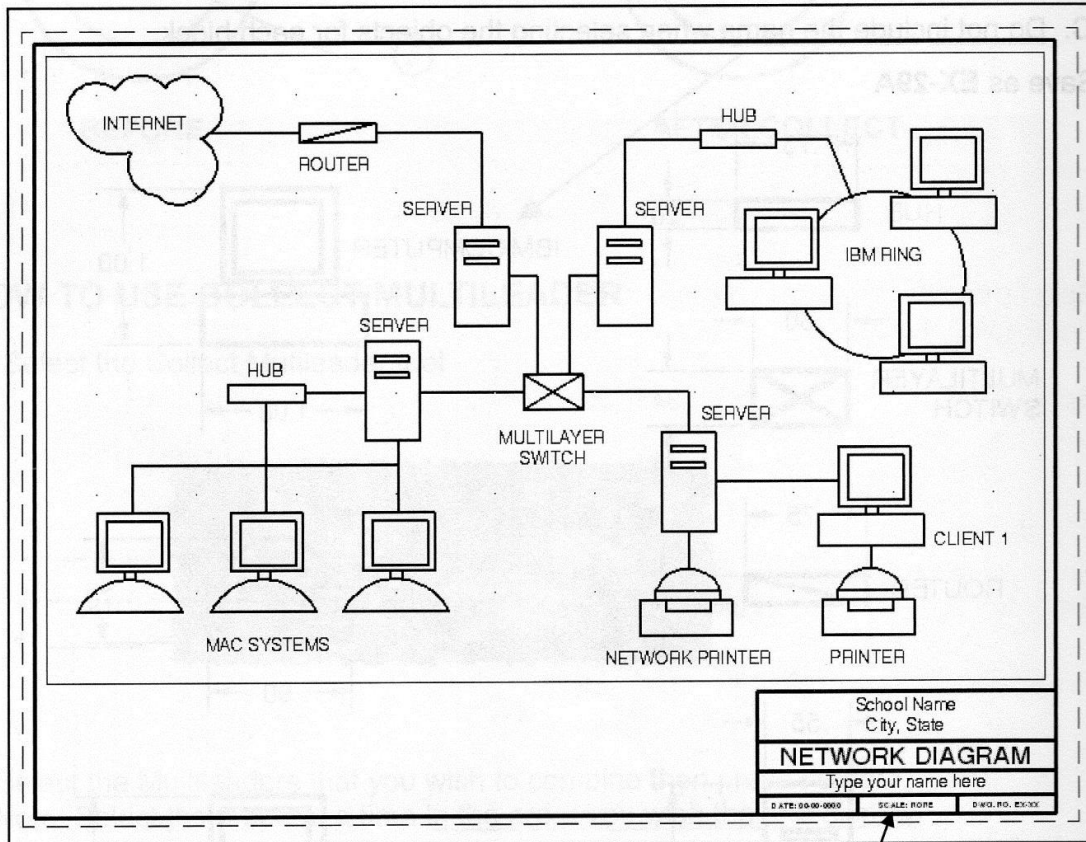
6. Save as **EX-29A**



EXERCISE 29A....continued

STEP 2


1. Open **EX-29A** (If not already open)
2. Select the **A Size** tab and confirm **Model** is displayed. 
3. Draw the Network Diagram approximately as shown within Model space.
4. Insert the Blocks you previously created in Step 1.
5. Add the Labels use: Text Style: Text-Classic Height: .125
6. Edit the Title Block
7. **Save** the drawing as: **EX-29A** again
8. **Plot** using page setup **Plot Setup A**



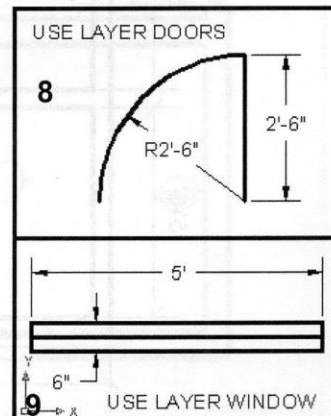
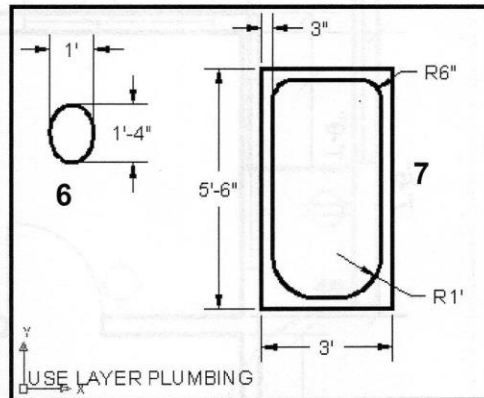
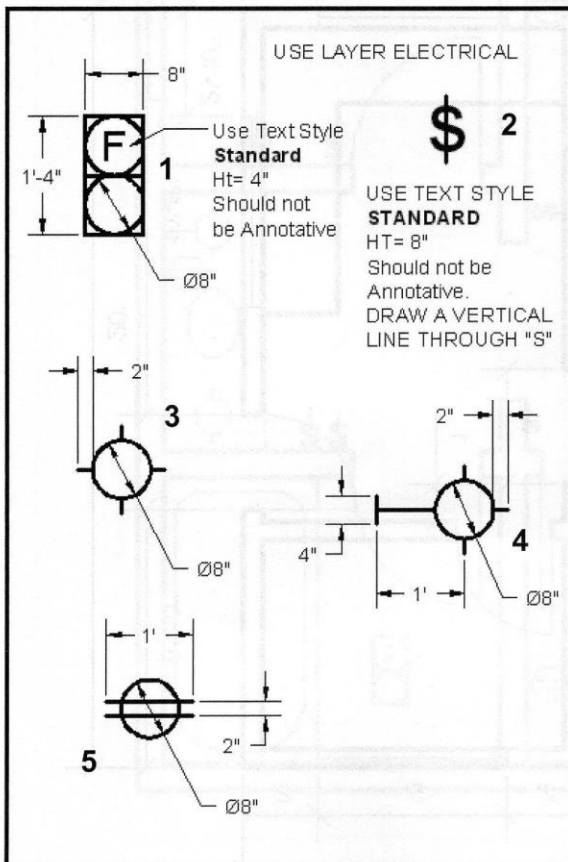
SCALE: NONE

EXERCISE 29B

STEP 1

1. Start a **NEW** file using **My Feet-Inches Setup.dwt**.
2. Select the **Model** tab 
3. Draw the objects shown below approximately as shown. **Use Layers specified.**
4. Do not dimension
5. Create a block for each.
 - A. **Important:** Don't forget to select a "**Base Point**" on each object.
 - B. Select "**Delete**" so they disappear as they are made.
 - C. Use the Numbers for name. Do not include the number when selecting the objects for the block.
6. Save as **EX-29B**

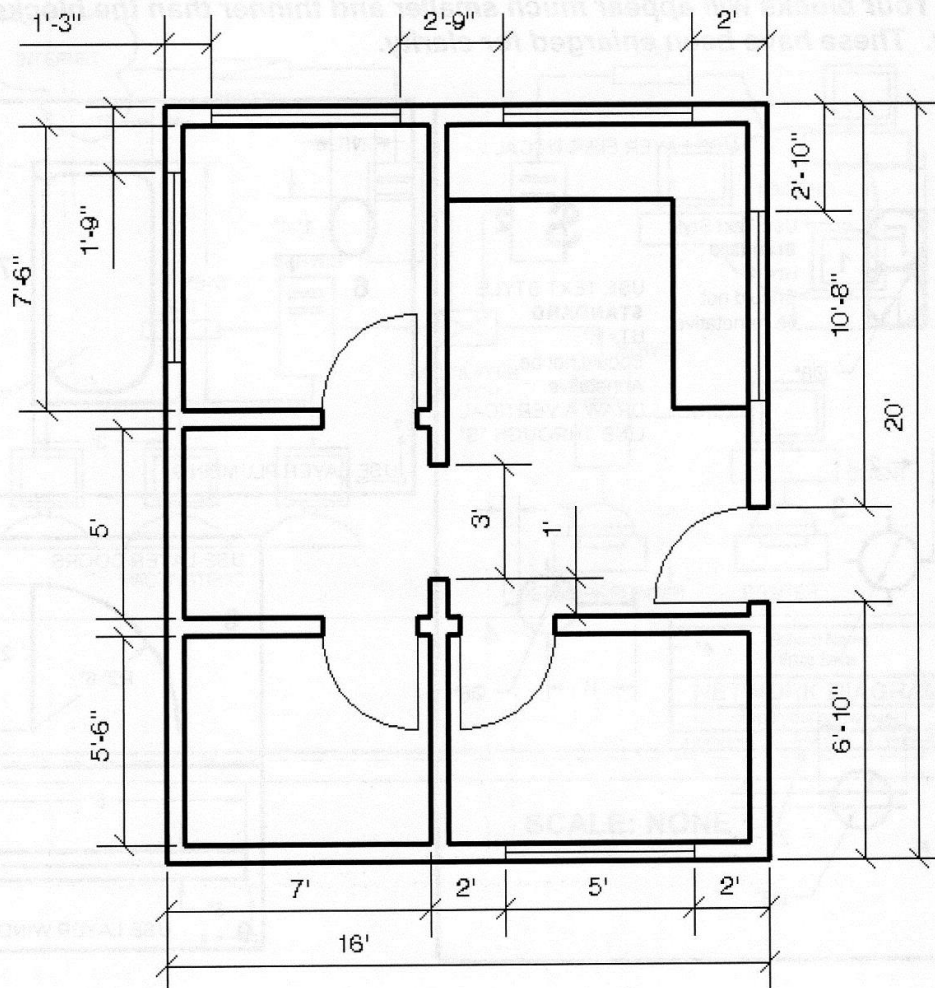
Note: Your blocks will appear much smaller and thinner than the blocks shown below. These have been enlarged for clarity.



EXERCISE 29B....continued

STEP 2

1. Open **EX-29B** (If not already open)
2. Select the **A Size** tab
3. Draw the Floor plan approximately as shown below inside the viewport.
(Note: the viewport scale should already be adjusted to $1/4" = 1'$)
 - A. The walls are 6" wide.
 - B. The space behind the door is 4" and counter depth is 24".
4. Insert the (8) DOOR Blocks on Layer Door
5. Insert the (9) WINDOW Blocks on Layer Window.
6. Dimension as shown using Dimension Style **Dim-Arch** (Your dimension text will appear different. I used text style Text-Classic because it is easier for you to read)
7. **Save** the drawing as: **EX-29B** again

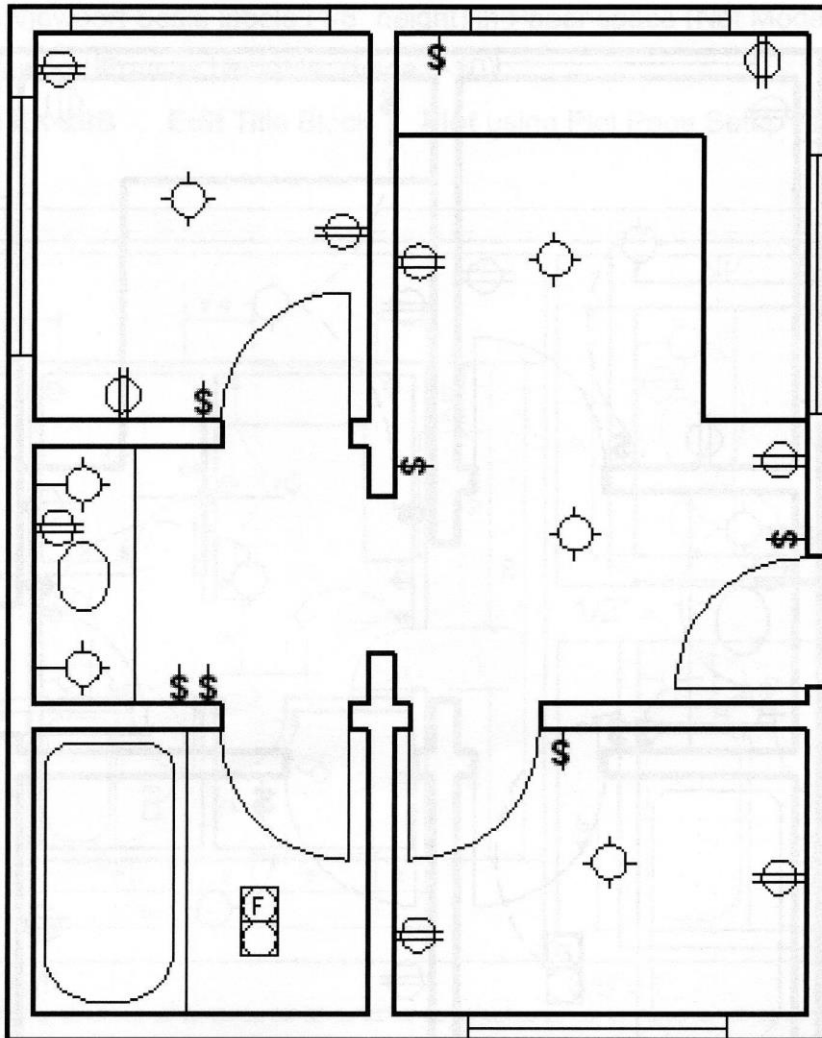


EXERCISE 29B....continued

STEP 3

1. Open **EX-29B** (If not already open)
2. Add the Electrical Blocks (1, 2, 3, 4 and 5) on Layer Electrical.
3. Add the Plumbing Blocks (6 and 7) on Layer Plumbing.
4. **Save** the drawing as: **EX-29B** again

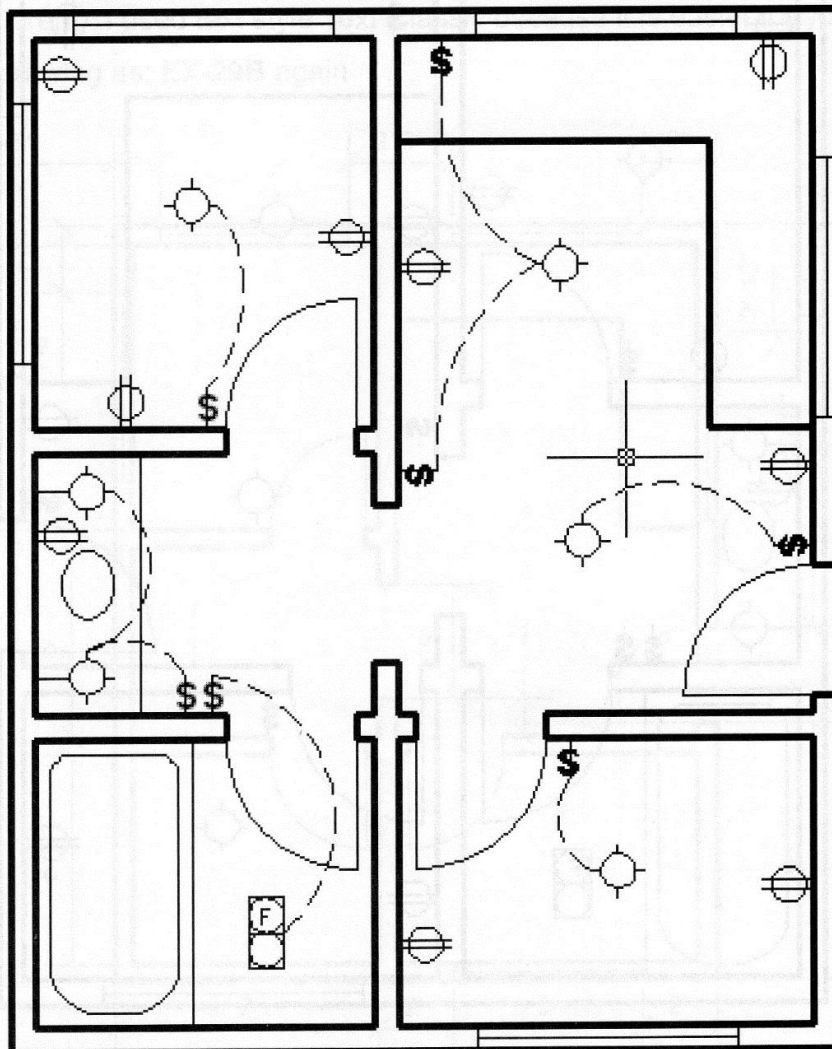
Note: *The dimension layer has been temporarily turned off so you can see the electrical and plumbing blocks easier.*



EXERCISE 29B....continued

STEP 4

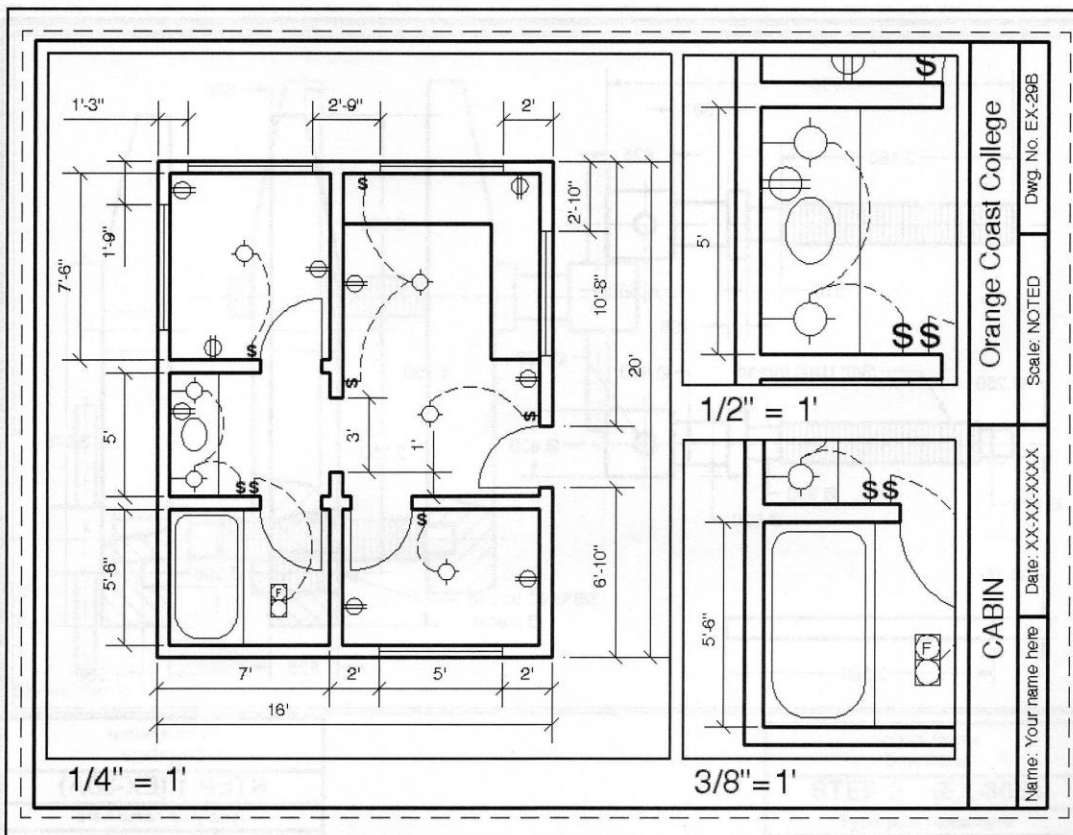
1. Open **EX-29B** (If not already open)
2. Add the Wiring.
 - A. Use Layer Wiring
 - B. Use Arc, (Start, End, Direction)
3. Notice that your dashed lines do not appear like the example below.
 - A. Type **LTS** (this is Linetype Scale setting)
 - B. Type **.25** (This scales all linetypes)
4. **Save** the drawing as: **EX-29B** again



EXERCISE 29B....continued

STEP 5

1. Open **EX-29B** (If not already open)
2. Erase the existing Viewport Frame. (The Floor plan will disappear)
3. Select Viewport as Current layer and create **3 NEW** Viewports approx. as shown.
4. Adjust the scale of each Viewport.
5. Use **PAN** to find the area to view as shown below.
6. **Lock** each Viewport.
7. **Add** the dimensions in the 2 Viewports on the right by adding the current object scale. (Refer to page 28-3 and 28-4)
8. **Add** the Viewport Scale labels ($1/8''$ height) in Paper space (Not Model space)
9. Make Viewport Frames plottable. (page 3-10)
10. **Save as EX-29B** **Edit** Title Block **Plot** using Plot Page Setup **Plot Setup A**

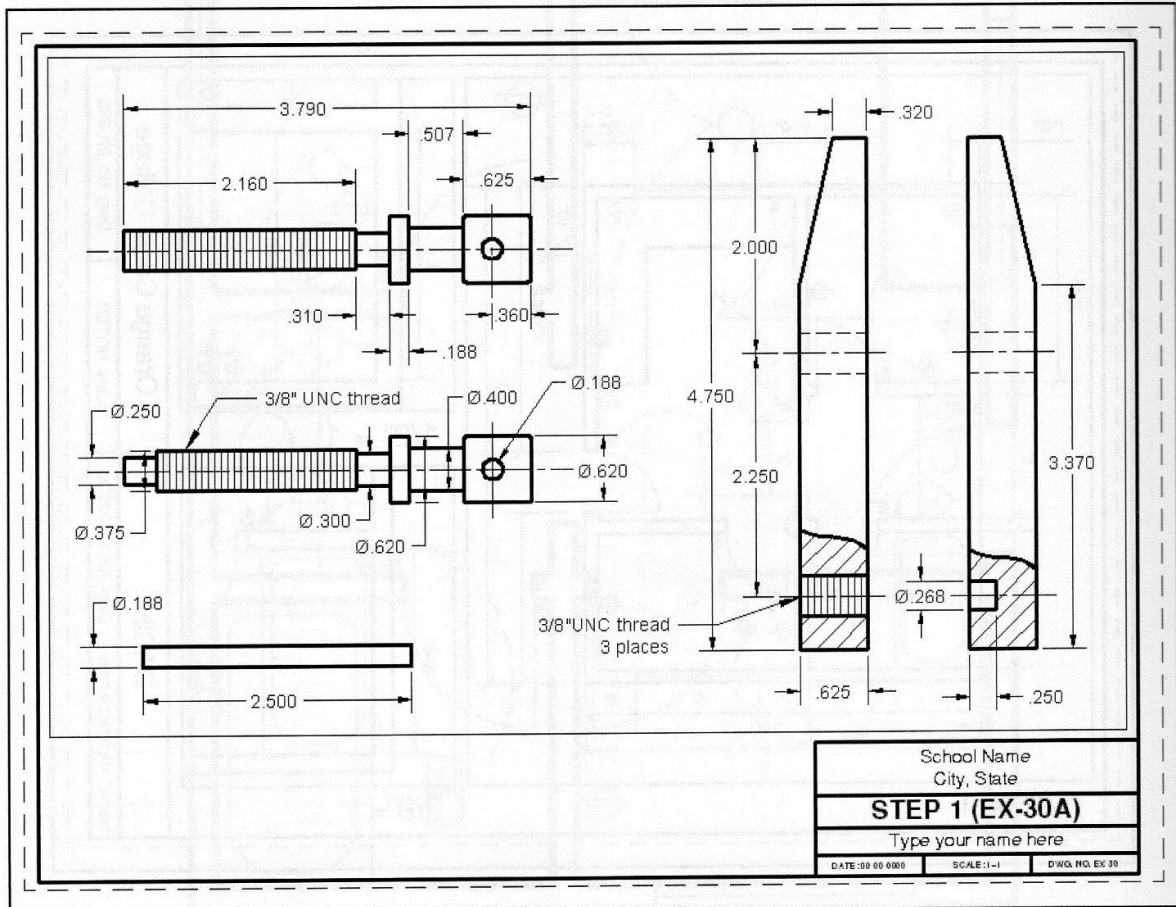


EXERCISE 29C

INSTRUCTIONS:

STEP 1

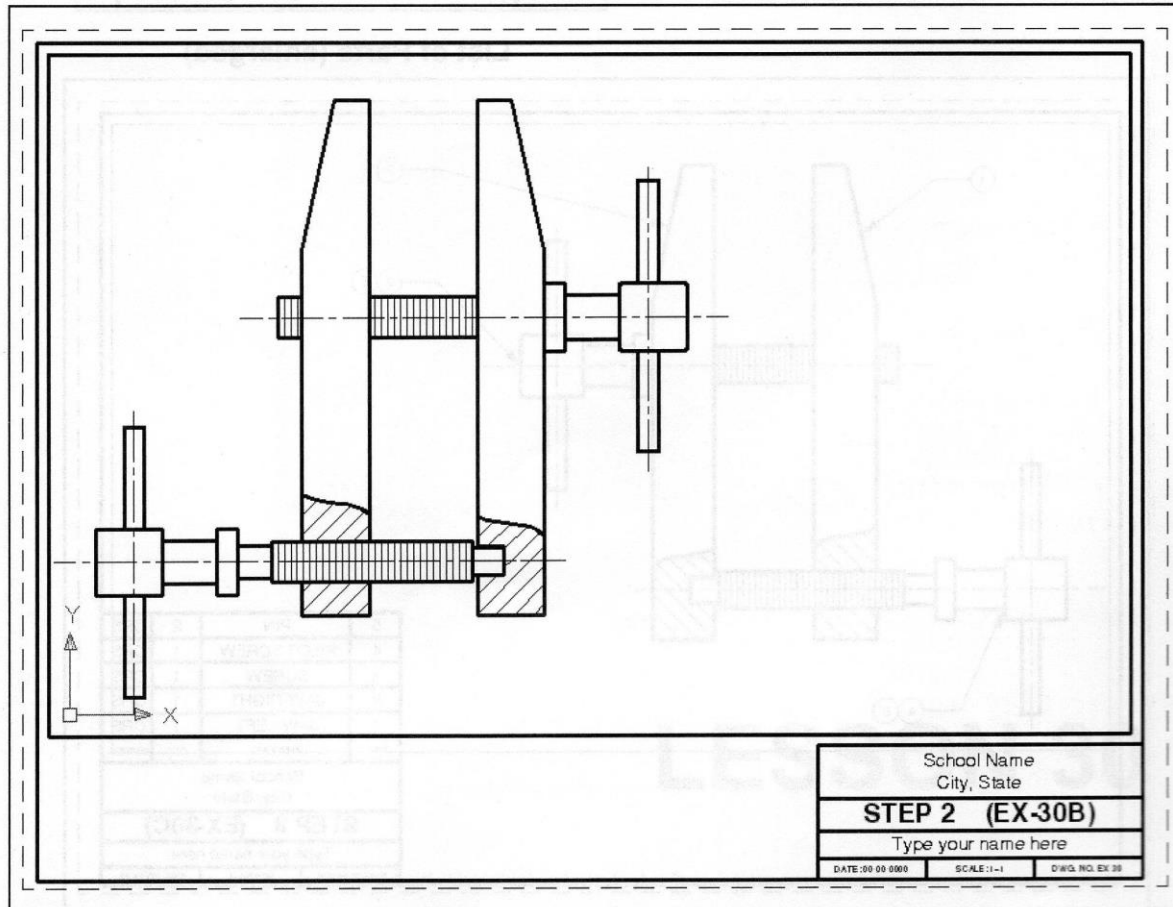
1. Start a **NEW** file using **My Decimal Setup.dwt**.
2. The Viewport should already be scaled to 1:1 and locked.
3. **Draw** the objects shown below.
4. Draw the **Break** line using Polyline with the Spline option (page 24-3)
5. Draw the Hatch using Pattern Ansi 31 and Layer Hatch.
6. Draw the Threads:
 - A. Use Layer Threads
 - B. Thread lines are .0625 distance apart.
7. Dimension as shown using Layer Dimension and Dimension Style = Dim-Decimal.
8. Save as **EX-29C**



EXERCISE 29C....continued

STEP 2

1. **Freeze** the Dimension Layer.
2. **Assemble** the parts as shown below.
3. Use Move, Mirror, Rotate, Trim, Erase and any other command that you need.
4. The distance between the Jaws should be 1"
5. Save as **EX-29C**



EXERCISE 29C....continued

STEP 3

1. Draw the List of parts in **Paper space** above the title block as shown.
2. Use Multiline Text to enter text. **Justify** = Middle Center **Text ht** = .125 and .062
3. Add Ballooned Leaders as shown in **Model Space**. Use Collect and Align.
4. Save as **EX-29C** and **plot** using plot page setup **Plot Setup A**

5	PIN	2	CRS
4	PILOT SCREW	1	CRS
3	SCREW	1	CRS
2	JAW-RIGHT	1	CRS
1	JAW-LEFT	1	CRS
ITEM	PART NAME	QTY	MATERIAL
School Name			
City, State			

List of Parts (enlarged)

5	PIN	2	CRS
4	PILOT SCREW	1	CRS
3	SCREW	1	CRS
2	JAW-RIGHT	1	CRS
1	JAW-LEFT	1	CRS
ITEM	PART NAME	QTY	MATERIAL
School Name			
City, State			
STEP 3 (EX-30C)			
Type your name here			
DATE:00 00 0000	SCALE:1:1	DWG. NO. EX 29	