

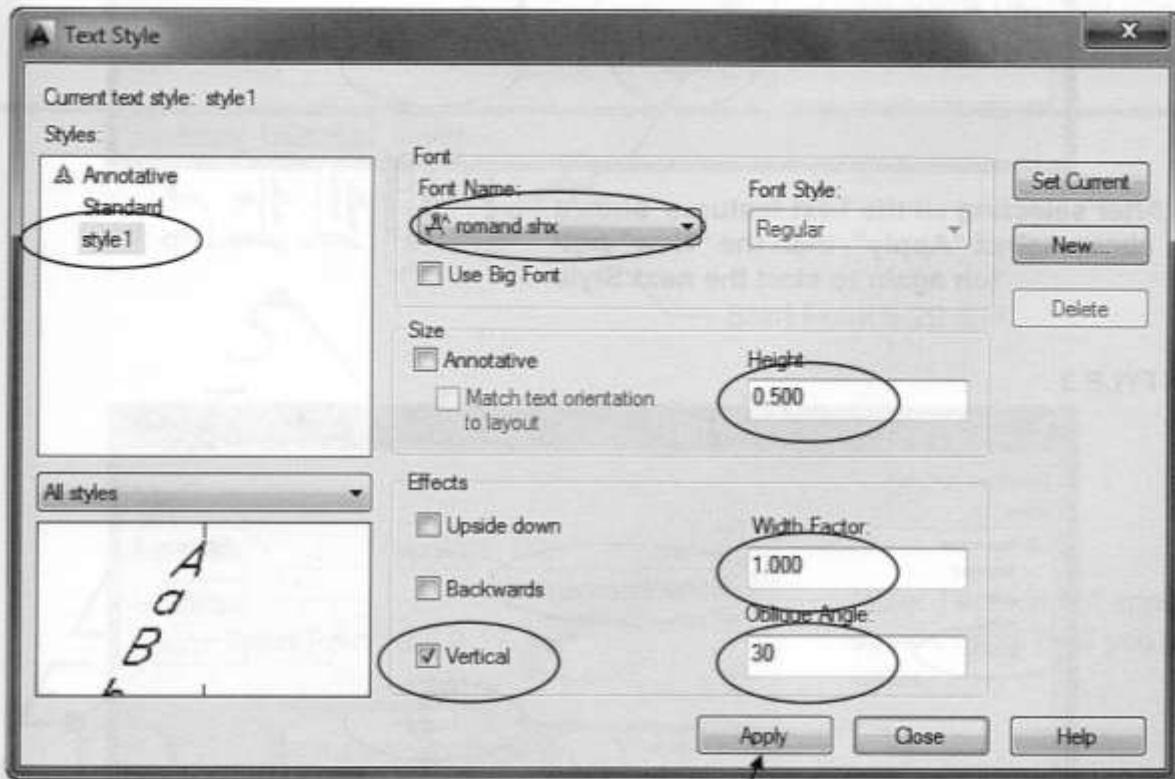
# EXERCISE 25A

## INSTRUCTIONS:

1. Start a **New** file using **Border A-2015.dwt**
2. Create the 3 Text Styles shown below and on the next page.  
(Style1, Style2 and Style3)  
Select all of the options shown.
3. **Save** the drawing as: **EX25A**

### STYLE1

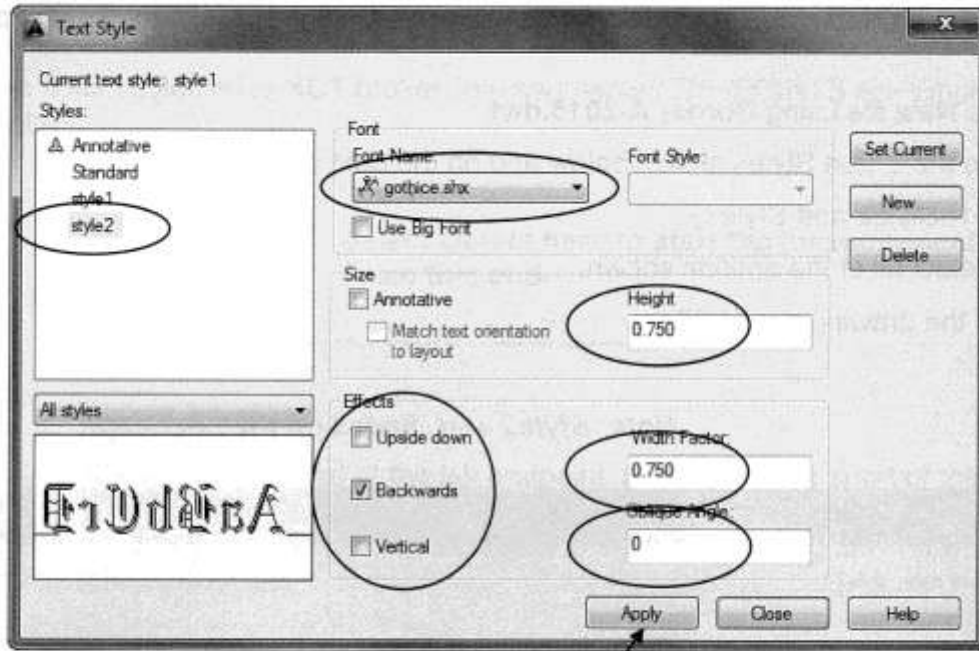
*Note: Style2 and Style3 on the next page.*



After selecting all the Text features shown above select "Apply", then the "New" button again to start the next Style

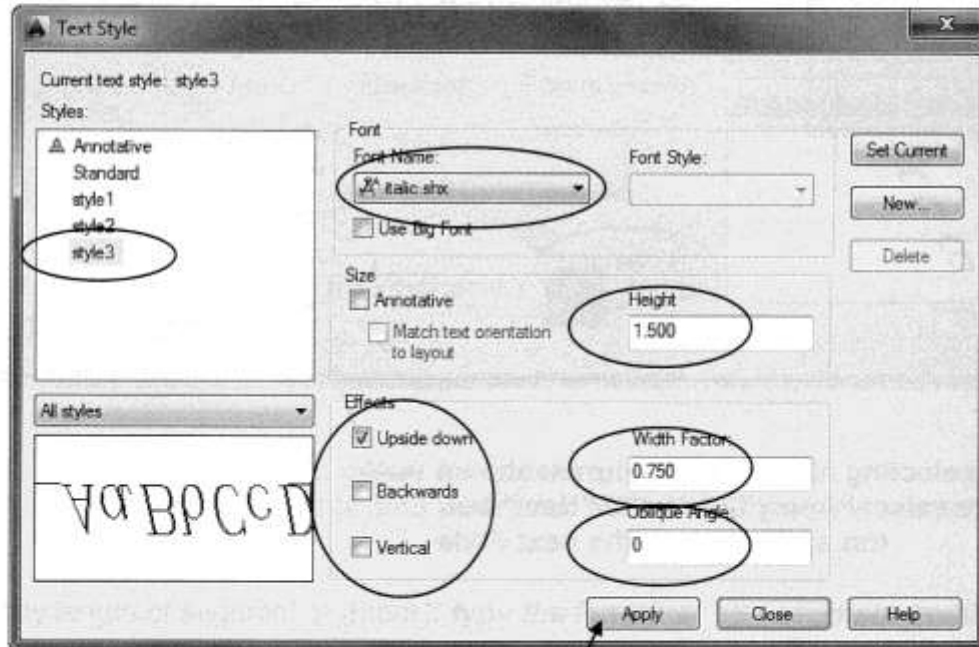
# EXERCISE 25A...continued

## STYLE 2



After selecting all the Text features shown above select "Apply", then the "New" button again to start the next Style

## STYLE 3



Select Apply button and Close button

# EXERCISE 25B

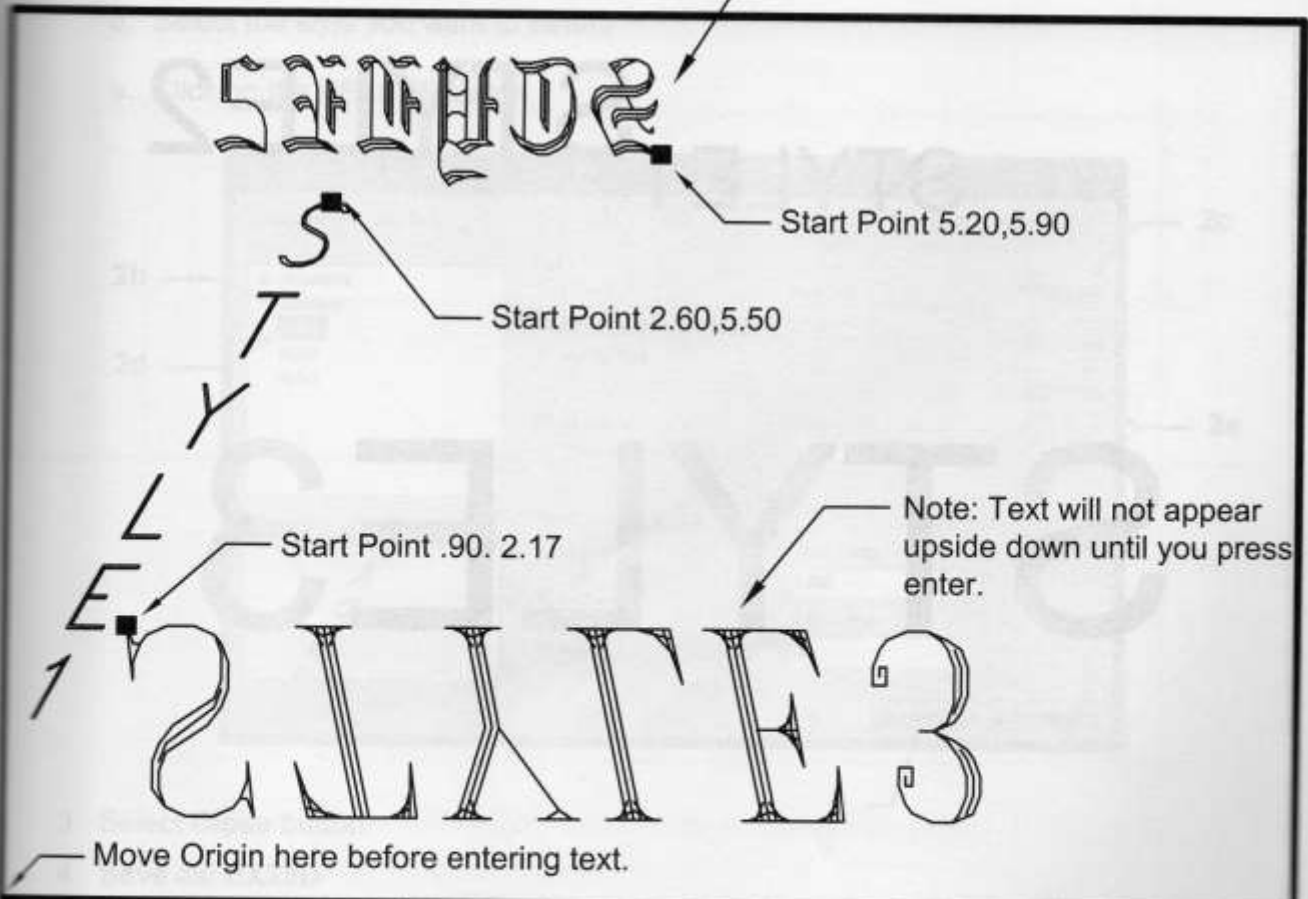
## INSTRUCTIONS:

1. Open **EX25A** (If not already open)
2. Before entering text, move the Origin to the lower left corner as shown.
3. Draw the 3 Text Styles using "Single Line Text".

Remember to select the text style before selecting the Single Line text command.

4. Place the start point exactly as shown. (enter coordinates)
5. Use layer Text.
6. Edit the Title and Ex-XX by double clicking on the text. Do not erase and replace.
7. Save as **EX25B**
8. Plot using Page Setup **Class Model A**

Note: Text will not appear backwards until you press enter.



Your Name Here

Using the new Text styles

Ex-25B

# EXERCISE 25C

## INSTRUCTIONS:

1. Open **EX25B** (if not already open)
2. Change the Text to Text Style "Standard".
  - a. Select all text
  - b. Quick Properties will appear
  - c. Change Text "varies" to "Standard"
3. Edit the Title and Ex-XX by double clicking on the text.
4. Save as **EX25C**
5. Plot using Page Setup **Class Model A**

STYLE1 STYLE2

STYLE3

Your Name Here

Changing the Text styles

Ex-25C

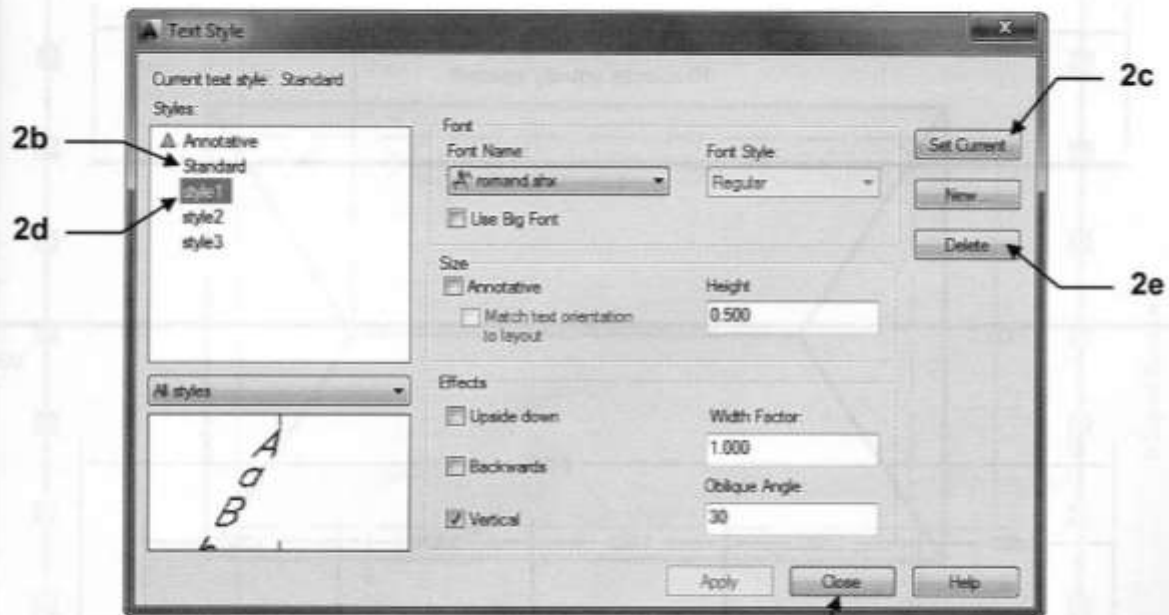
# EXERCISE 25D

## INSTRUCTIONS:

1. Open **EX25C** (If not already open)
2. Delete Text Styles 1, 2 and 3 as follows:
  - a. Select **TEXT STYLE** box.
  - b. Select the "Standard" text style.
  - c. Select **Set Current** button. (This makes Standard the current text style)

*AutoCAD will not allow you to delete an active or current text style. That is why you must make the "Standard" text style current before you may delete a text style.*

- d. Select the style you want to **delete**.
- e. Click on the **DELETE** button.

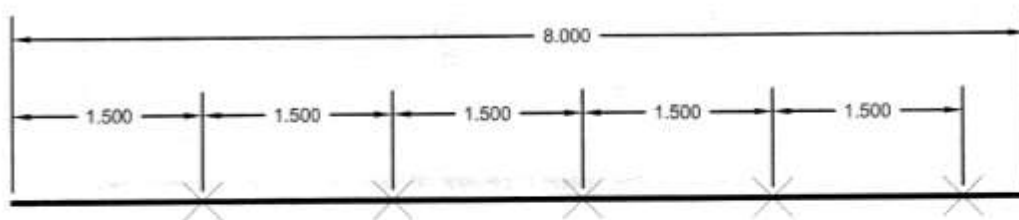
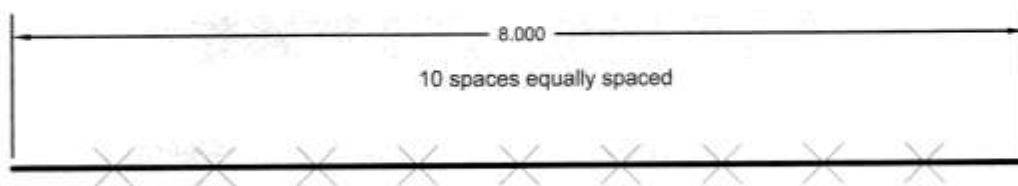


3. Select **Close** button.
4. **Save as: EX25D**

# EXERCISE 25E

## INSTRUCTIONS:

1. Start a **New** file using **Border A-2015.dwt**
2. Draw the (2) 8" long lines shown below on layer Object line.
3. **Divide** the upper line into 10 equal segments.
4. Using **Measure** create (5) 1.50 long segments on the lower line as shown.
5. Edit the Title and Ex-XX by double clicking on the text. Do not erase and replace.
6. Dimension as shown. (Remember "Node" is the object snap to use for Points)
7. Save as **EX25E**
8. Plot using Page Setup **Class Model A**



Your Name Here

Divide and Measure

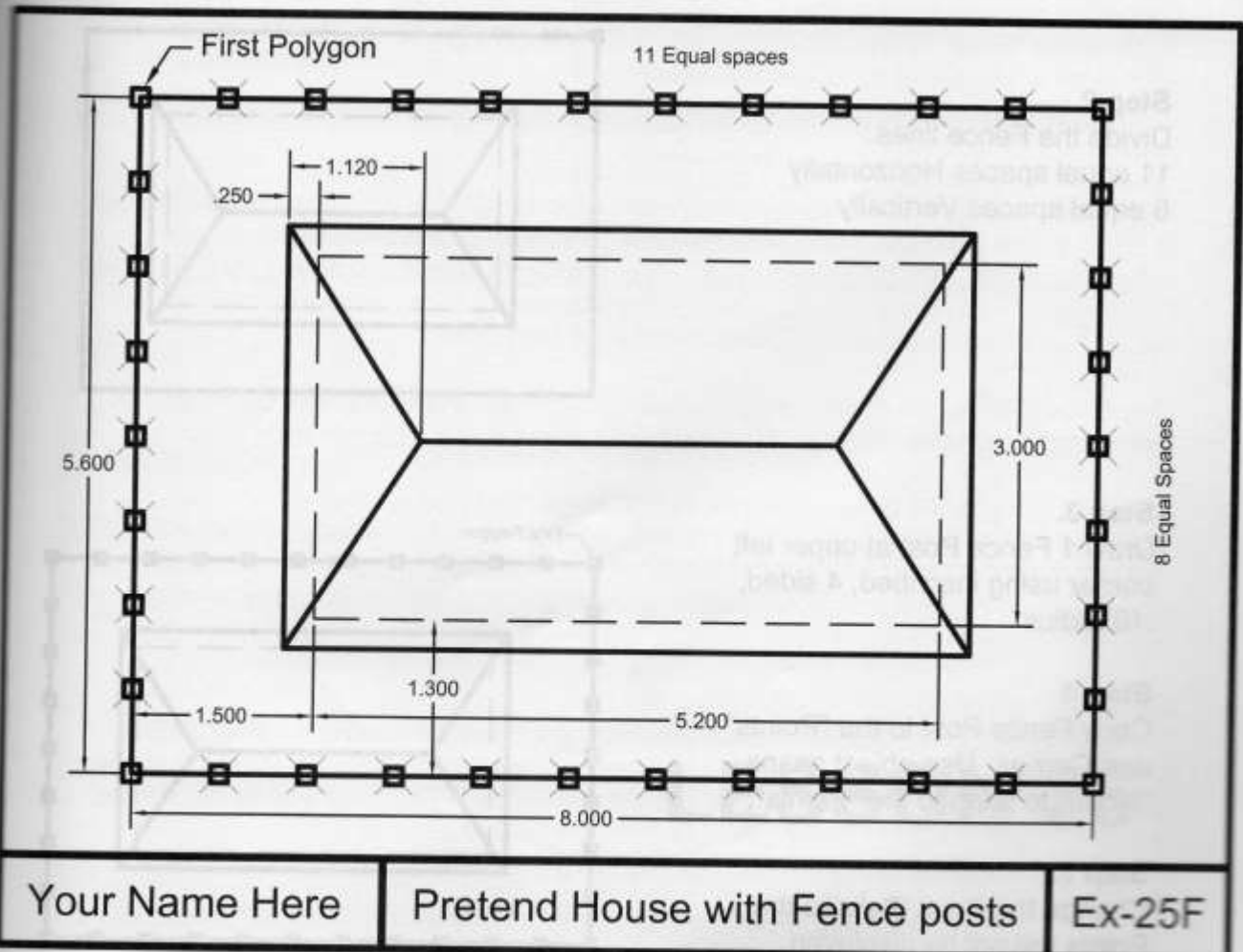
Ex-25E

# EXERCISE 25F

## INSTRUCTIONS:

1. Start a **New** file using **Border A-2015.dwt**
2. Draw the "pretend" house roof plan with fence line shown below.
3. Refer to the next page for instructions and helpful hints.
4. Dimension using Dimension Style "Class Style" and Layer Dimension
5. Edit the Title and Ex-XX by double clicking on the text. Do not erase and replace.
6. Save as **EX25** and Plot using Page Setup **Class Model A**

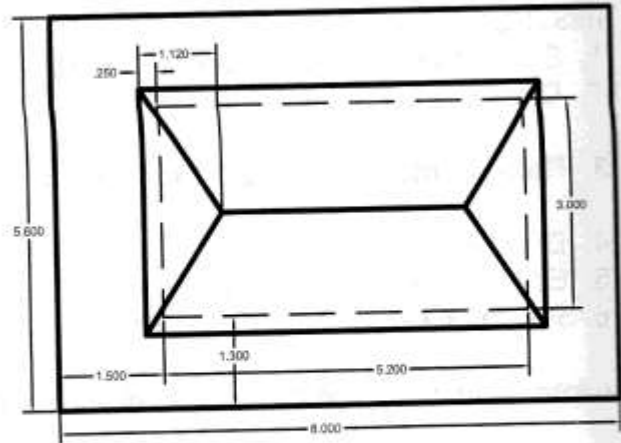
*(Note: You will learn to actually draw a full size house in Lesson 27.)*



## 25F Helpful Hints

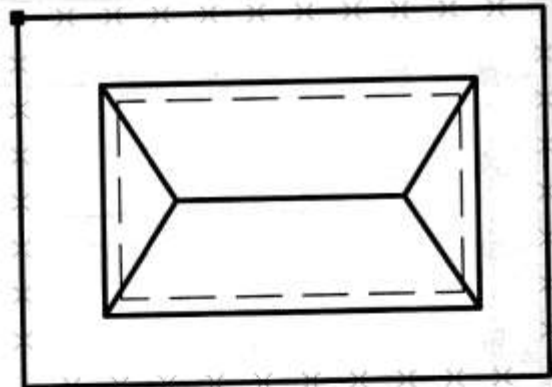
### Step 1.

Draw the "pretend" house roof plan with fence line.  
Use Layers Roof, Walls and Hidden Lines.



### Step 2.

Divide the Fence lines.  
11 equal spaces Horizontally  
8 equal spaces Vertically



### Step 3.

Draw 1 Fence Post at upper left corner using inscribed, 4 sided, .10 radius.

### Step 4

Copy Fence Post to the "Points" and Corner. Use object snaps "Node" to snap to the "Points".

### Step 5.

Change the Point Style so the Points will not be displayed.

