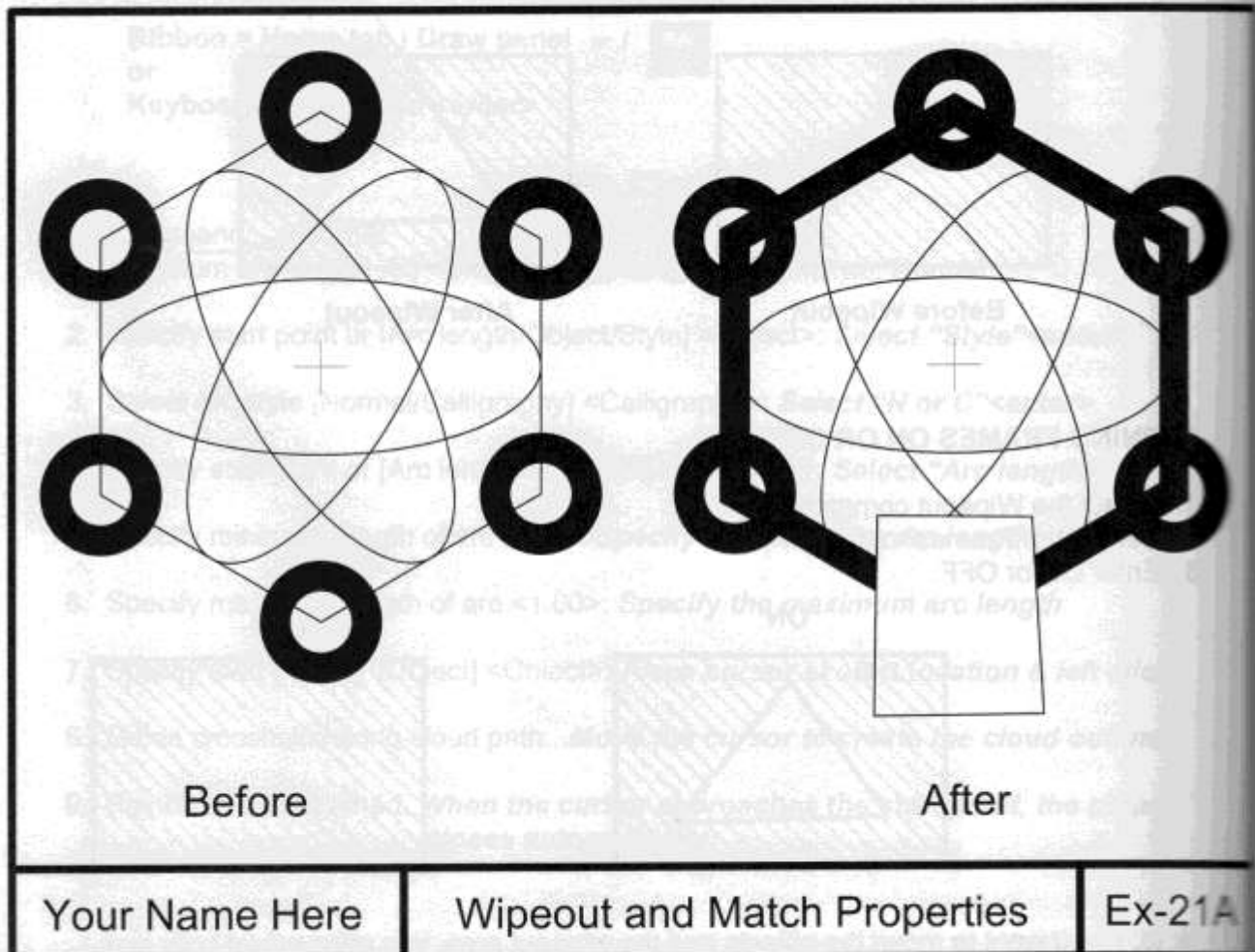


EXERCISE 21A

INSTRUCTIONS:

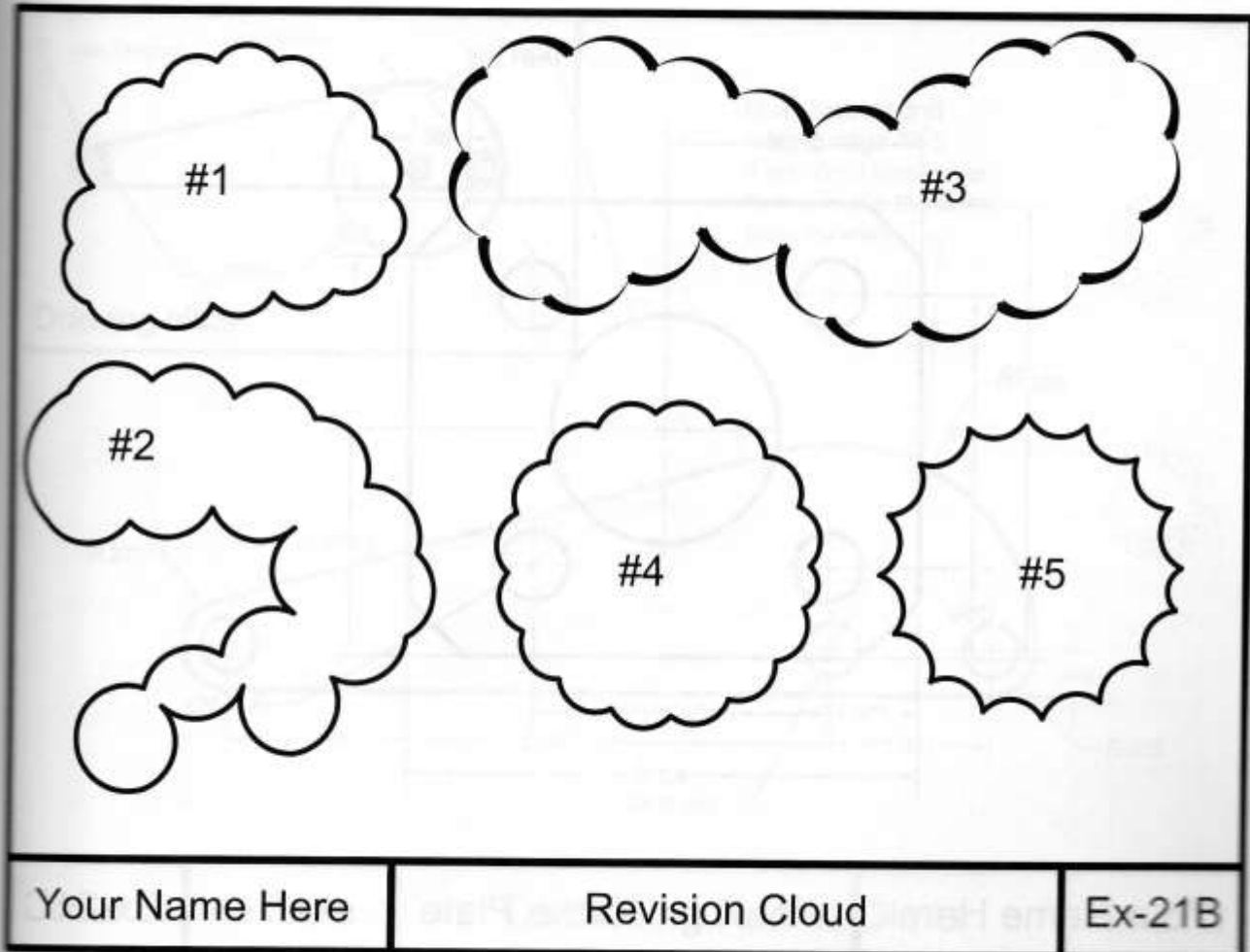
1. Open **EX5F.dwg**
2. Using **Match Properties**, change the properties of the Polygon to the same properties as the Donut.
3. Using **Wipeout**, block out the bottom donut approximately as shown.
4. Edit the Title and Ex-XX by double clicking on the text. Do not erase and replace.
5. Save as **EX21A**
6. Plot using Page Setup **Class Model A**



EXERCISE 21B

INSTRUCTIONS:

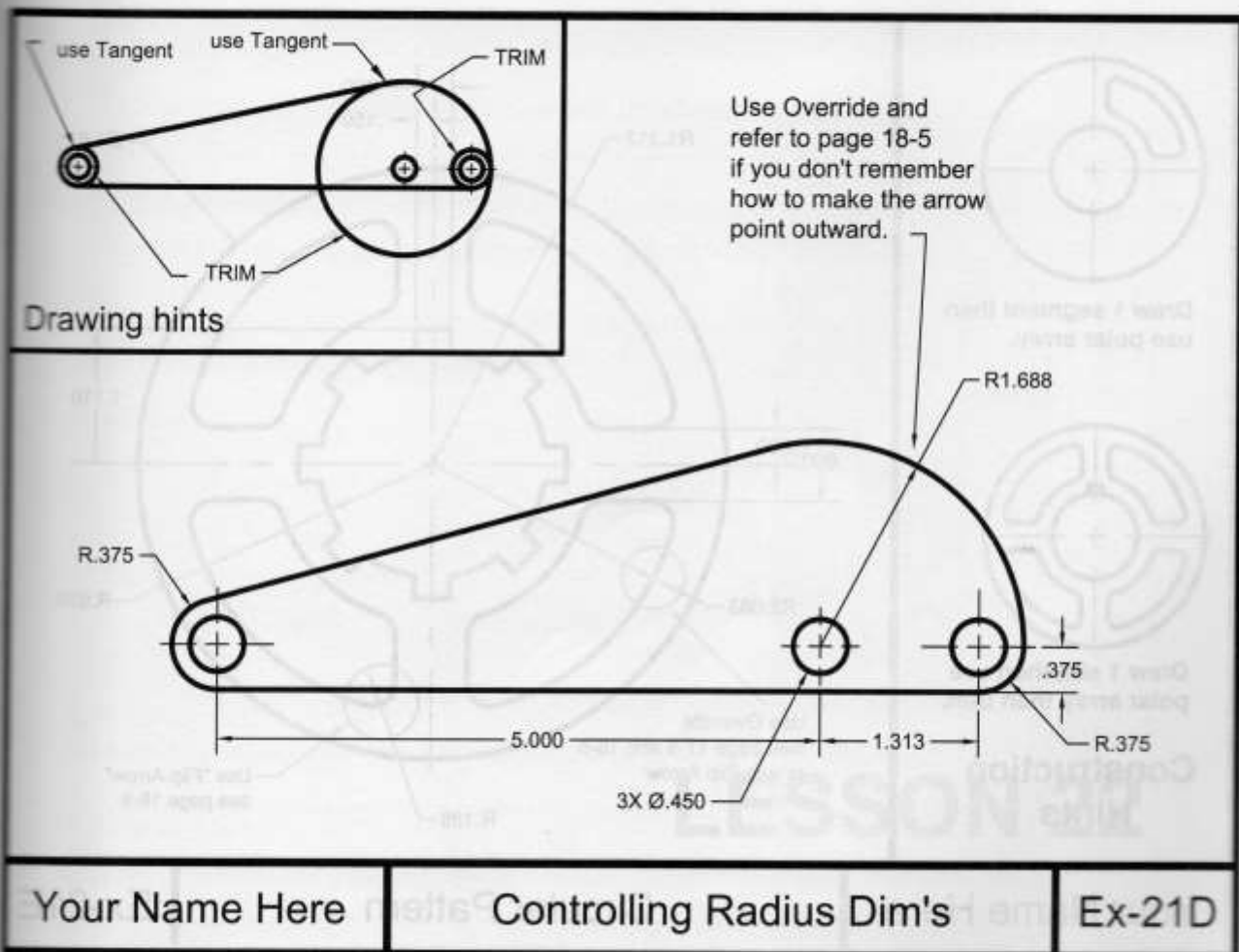
1. Start a **New** file using **Border A-2015.dwt**
2. Draw the Revision clouds below:
 - #1: Set Min. and Max. Arc Length to .500
 - #2: Set Min. Arc Length to .500 and Max. Arc Length to 1.00
 - #3: Same as #2 but change Style to Calligraphy.
3. Draw (2) 2.50 Diameter Circles and Convert to Revision clouds.
Set Min and Max Arc Length to .50 Set Style to Normal
 - #4 Reverse = No
 - #5 Reverse = Yes
4. Use Layer Object line.
5. Edit the Title and Ex-XX by double clicking on the text. Do not erase and replace.
6. Save as **EX21B**
7. Plot using Page Setup **Class Model A**



EXERCISE 21D

INSTRUCTIONS:

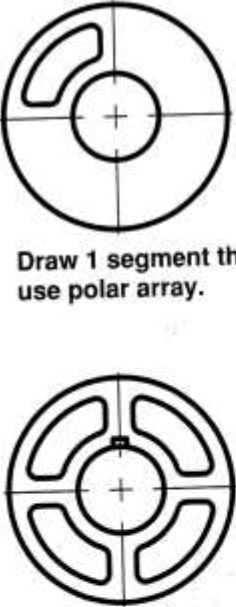
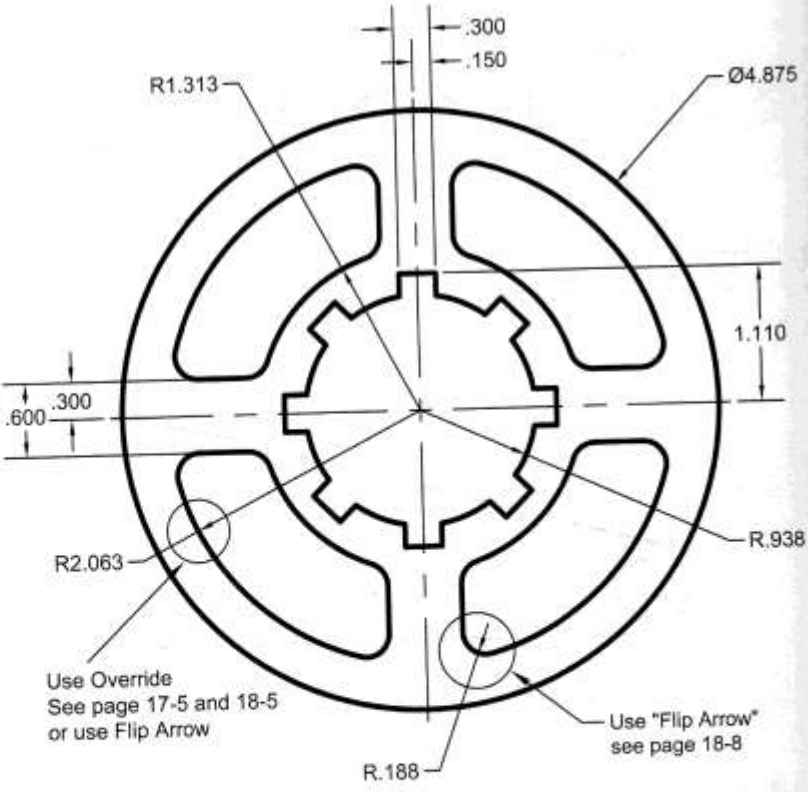
1. Start a **New** file using **Border A-2015.dwt**
2. The drawing below is designed to give you more practice drawing objects and dimensioning. Use any method that you have learned in the previous lessons.
3. Edit the Title and Ex-XX by double clicking on the text. Do not erase and replace.
4. Save as **EX21D**
5. Plot using Page Setup **Class Model A**



EXERCISE 21E

INSTRUCTIONS:

1. Start a **New** file using **Border A-2015.dwt**
2. The drawing below is designed to give you more practice drawing objects and dimensioning. Use any method that you have learned in the previous lessons.
3. Edit the Title and Ex-XX by double clicking on the text. Do not erase and replace.
4. Save as **EX21E**
5. Plot using Page Setup **Class Model A**

 <p>Draw 1 segment then use polar array.</p> <p>Draw 1 slot then use polar array then trim.</p> <p>Construction Hints</p>	 <p>Ø4.875</p> <p>1.110</p> <p>.600</p> <p>.300</p> <p>.150</p> <p>R1.313</p> <p>R2.063</p> <p>R.188</p> <p>R.938</p> <p>Use Override See page 17-5 and 18-5 or use Flip Arrow</p> <p>Use "Flip Arrow" see page 18-8</p>	
Your Name Here	Circular Pattern	Ex-21E