

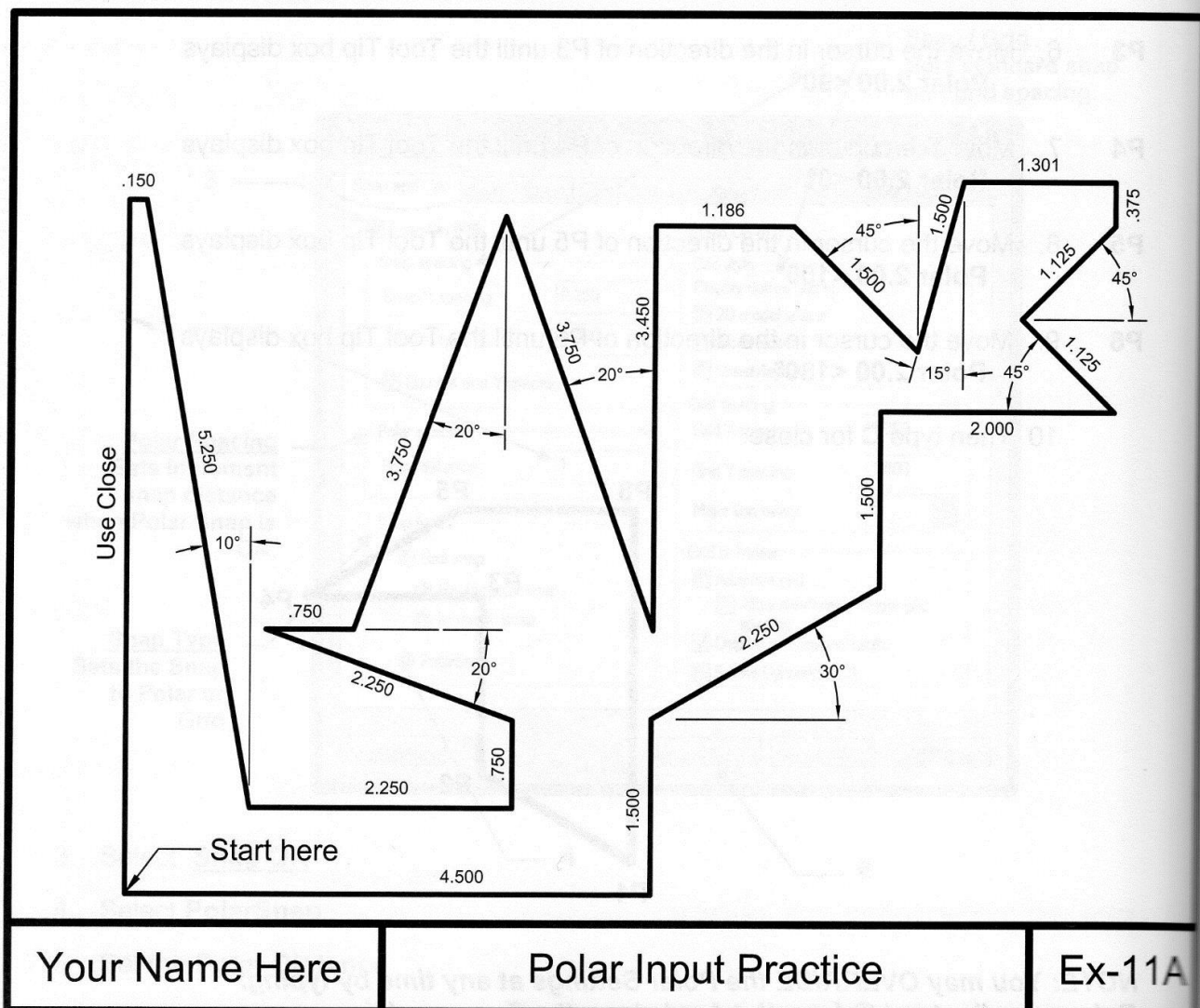
EXERCISE 11A

INSTRUCTIONS:

1. Start a **New** file using **Border A-2015.dwt**
2. After reviewing the lengths and angles below set the Polar Tracking Increment Angle and Polar Snap distance.

Note: You may have to "override" a few of the lengths. (See bottom of 11-11)

3. Use Layer = Object line.
4. Edit the Title and Ex-XX by double clicking on the text. Do not erase and replace.
5. Do not dimension
6. Save as **EX11A**
7. Plot using Page Setup **Class Model A**



Your Name Here

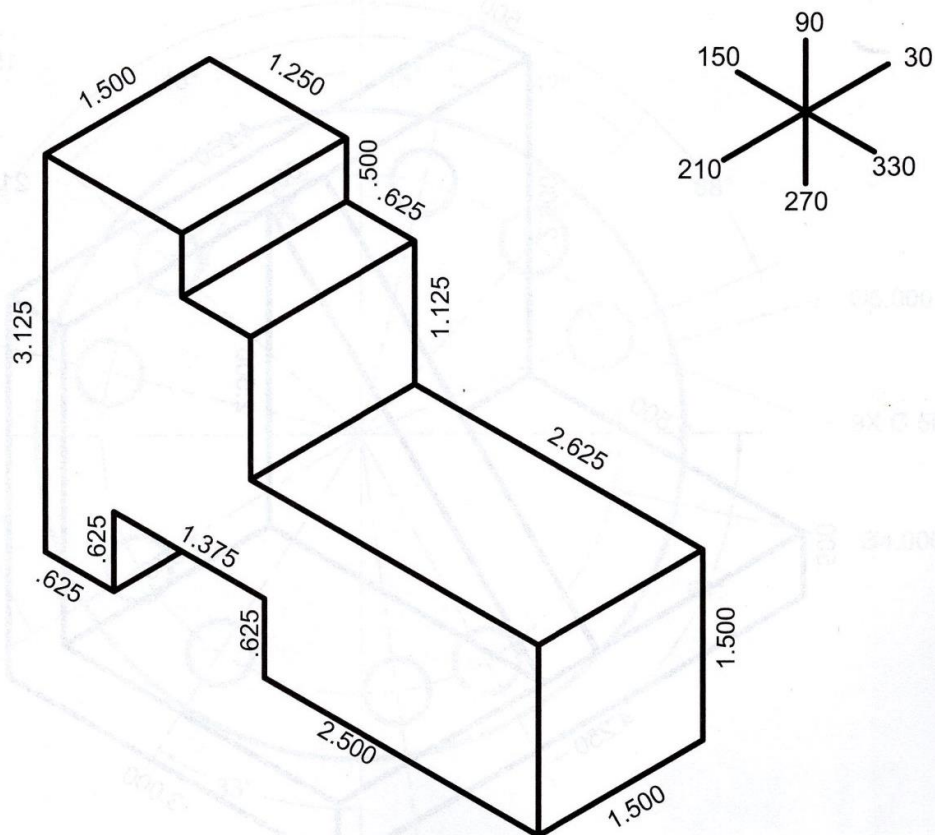
Polar Input Practice

Ex-11A

EXERCISE 11B

INSTRUCTIONS:

1. Start a **New** file using **Border A-2015.dwt**
 2. After reviewing the lengths and angles below set the Polar Tracking Increment Angle to **30**
Polar Snap distance to **.125**
- Note: the isometric lines are 30, 90, 150, 210, 270 and 330. (Refer to page 11-2)
3. Use Layer = Object line.
 4. Edit the Title and Ex-XX by double clicking on the text. Do not erase and replace.
 5. Do not dimension
 6. Save as **EX11B**
 7. Plot using Page Setup **Class Model A**



Your Name Here

Step Stool

Ex-11B

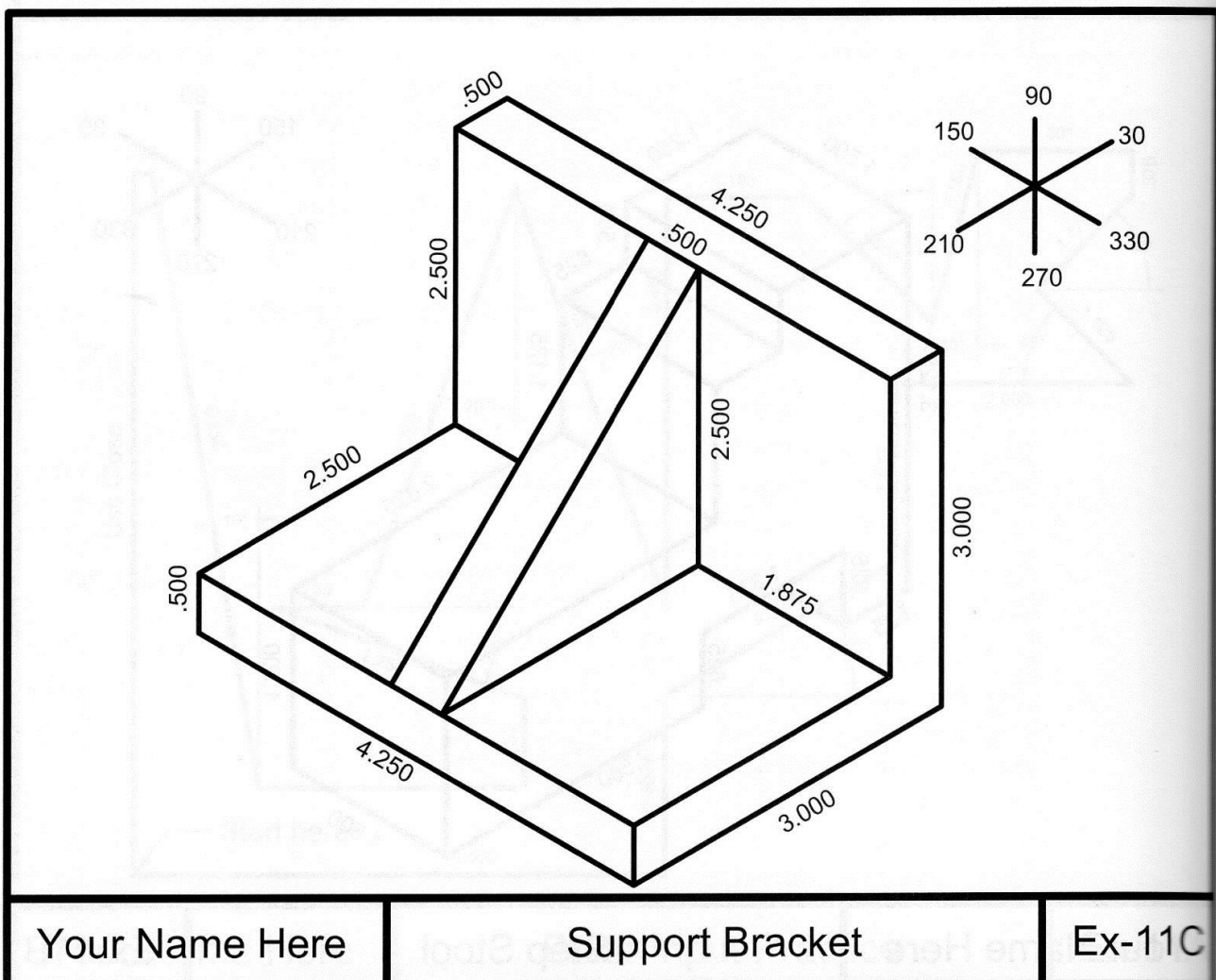
EXERCISE 11C

INSTRUCTIONS:

1. Start a **New** file using **Border A-2015.dwt**
2. After reviewing the lengths and angles below set the Polar Tracking Increment Angle and Polar Snap distance

Note: the isometric lines are 30, 90, 150, 210, 270 and 330. (Refer to page 11-2)

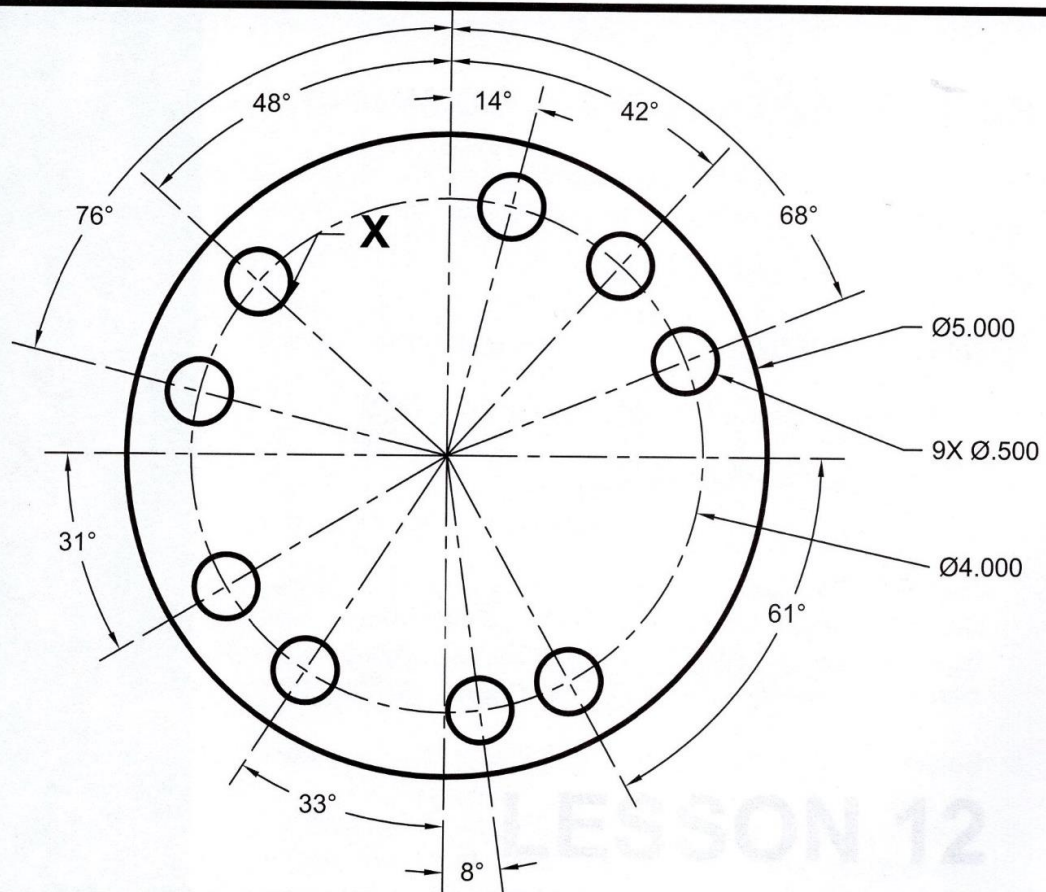
3. Use Layer = Object line.
4. Edit the Title and Ex-XX by double clicking on the text. Do not erase and replace.
5. Do not dimension
6. Save as **EX11C**
7. Plot using Page Setup **Class Model A**



EXERCISE 11D

INSTRUCTIONS:

1. Open **Border A-2015.dwt**
Note: You will have to do some adding and subtracting on this one.
2. Draw the 5.000 Diameter Circle using Layer Object line.
3. Draw the 4.000 Diameter Circle using Layer Center line.
4. Draw each polar line on layer Centerline using the following example:
 For example: the line marked "X" is drawn as follows:
 - a. Place 1st endpoint in the center of the circle.
 - b. Enter Polar coordinates for 2nd endpoint (distance 2.750 angle 138)
 (Refer to Polar Clock on page 11-2)
5. Draw the .500 Diameter Circles. Locate their center using object snap Intersection.
6. Edit the Title and Ex-XX by double clicking on the text. Do not erase and replace.
7. Do not dimension
8. Save as **EX11D**
9. Plot using Page Setup **Class Model A**



Your Name Here

Polar Puzzle

Ex-11D