

UNIT E: Performance Assessment – Sectional Views

Competency: D405.00

Demonstrate the correct techniques for preparing sectional views.

Objective: D405.02

Construct sectional views.

Requirements: Each student is required to create a sectional view from the (3) views, (front, top and right side) of the **BEARING** given in Figure 1. Construct a Full Sectional View of the problem.

Recreate the (3) views given. Add a sectional view of the best view necessary to describe the part.

IMPORTANT NOTE: Your instructor may ask you to create a 3D model of the object first and then extract the required views from the model instead of completing this assignment as a 2D drawing. If this is the case, the correctness of your drawing is still what is being evaluated.

1. Recreate the front, top and right side views shown in Figure 1. You are then required to create the best view or views to show a cross section of the part.
2. Drawing Scale **1 : 1**. Print or plot as instructed by your instructor.
3. Use accepted drafting standards for lines, titleblock, etc. as instructed by your instructor.
4. Add your name, problem number (**405.02.001**), scale, and date in the title block.
5. Time Limit = 90 minutes.
6. An effort should be made to create a balanced appearance.
7. Your work should reflect an understanding of sectional views.
8. Use the following specifications:
 - a. Units –Decimal (0 precision)
 - b. Grid – 10
 - c. Limits – Set as necessary
 - d. Snap - 5
 - e. Layers

Layer Title	Linetype	Color
VISIBLE	CONTINUOUS	BLACK (WHITE)
HIDDEN	HIDDENX2	DARK BLUE
CENTER	CENTERX2	RED
DIMENSIONS	CONTINUOUS	RED

Assessment: The problem will be evaluated based on the following criteria:

Criteria	Point Range
Drawing Setup	15 points
Accuracy of Section View	40 points
Lines	15 points
Dimensioning Text and Notes	15 points
Layout & balance	15 points

Sectional Views Performance Assessment Drawing

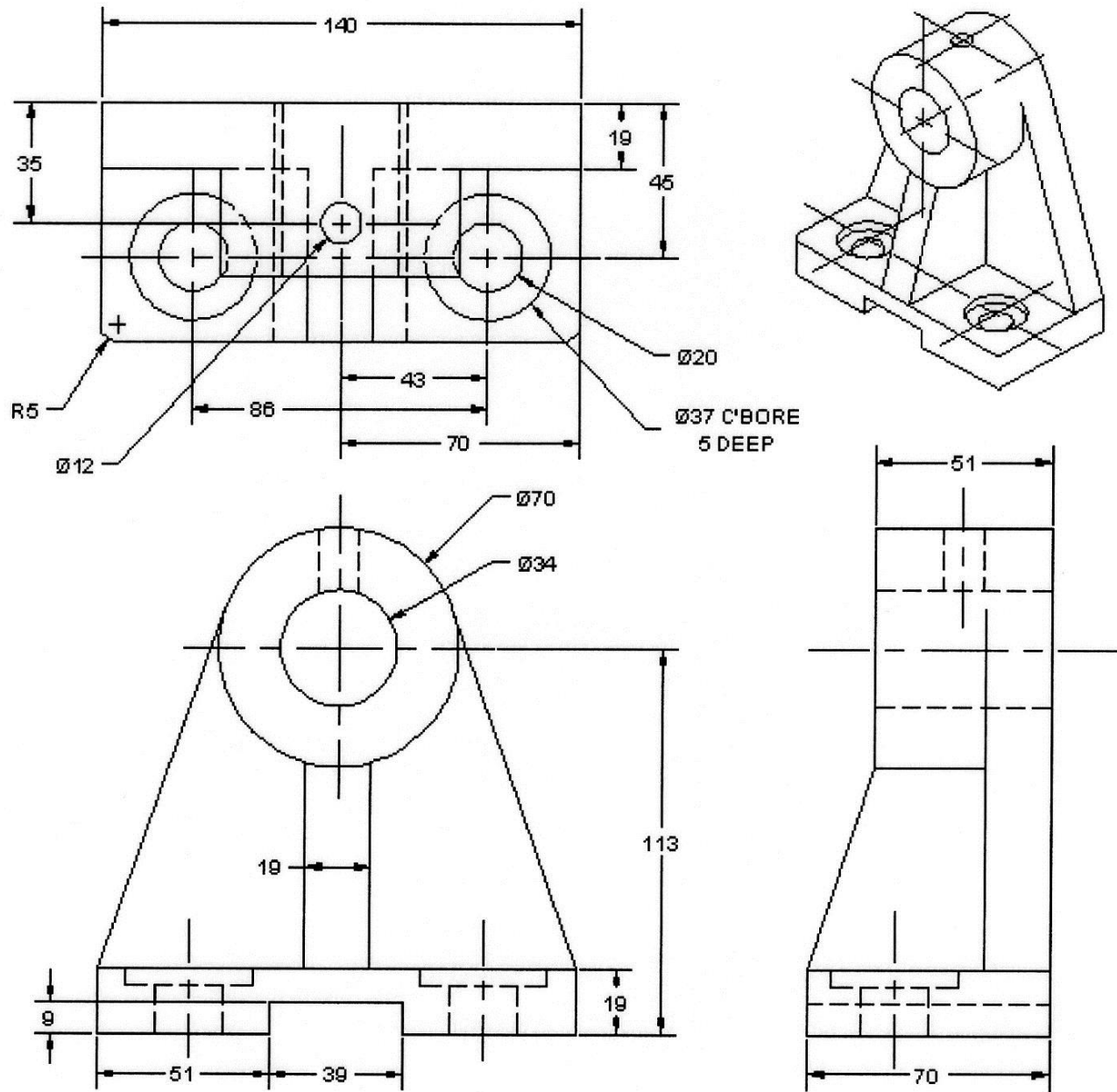


Figure 1. BEARING.