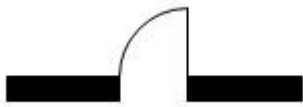
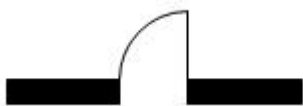
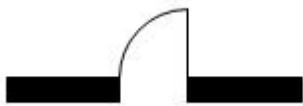
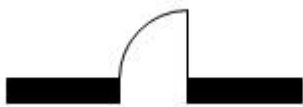




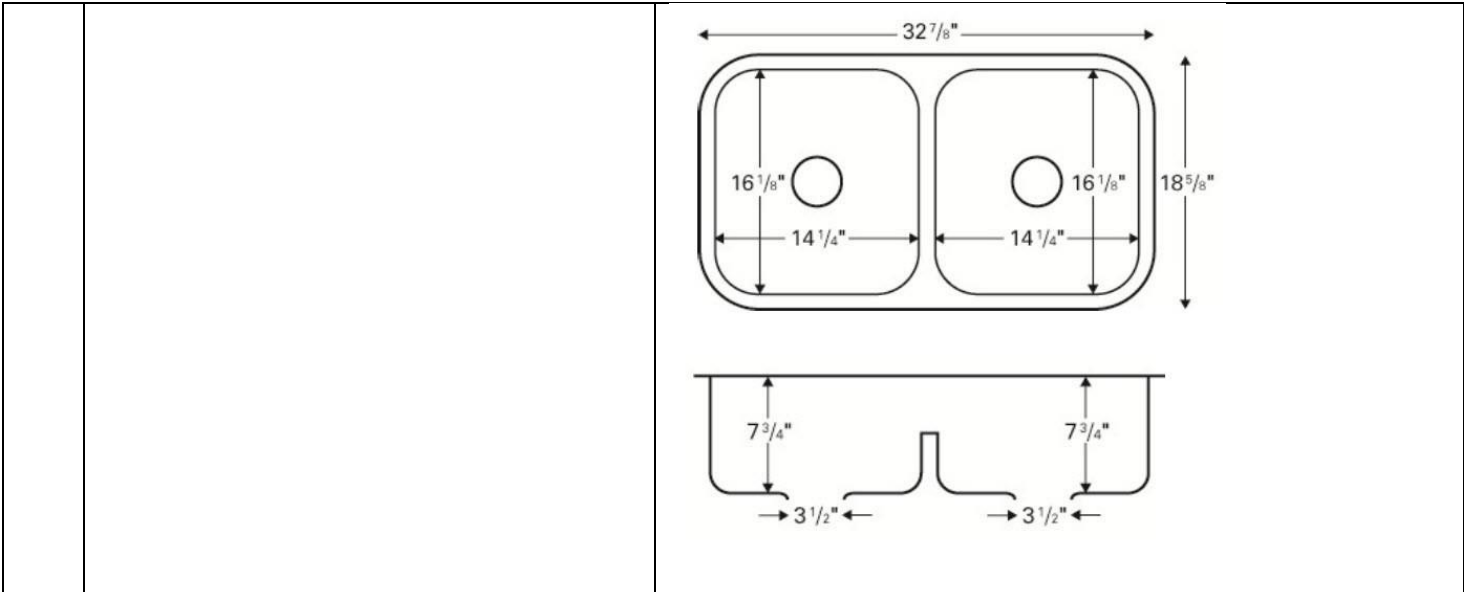
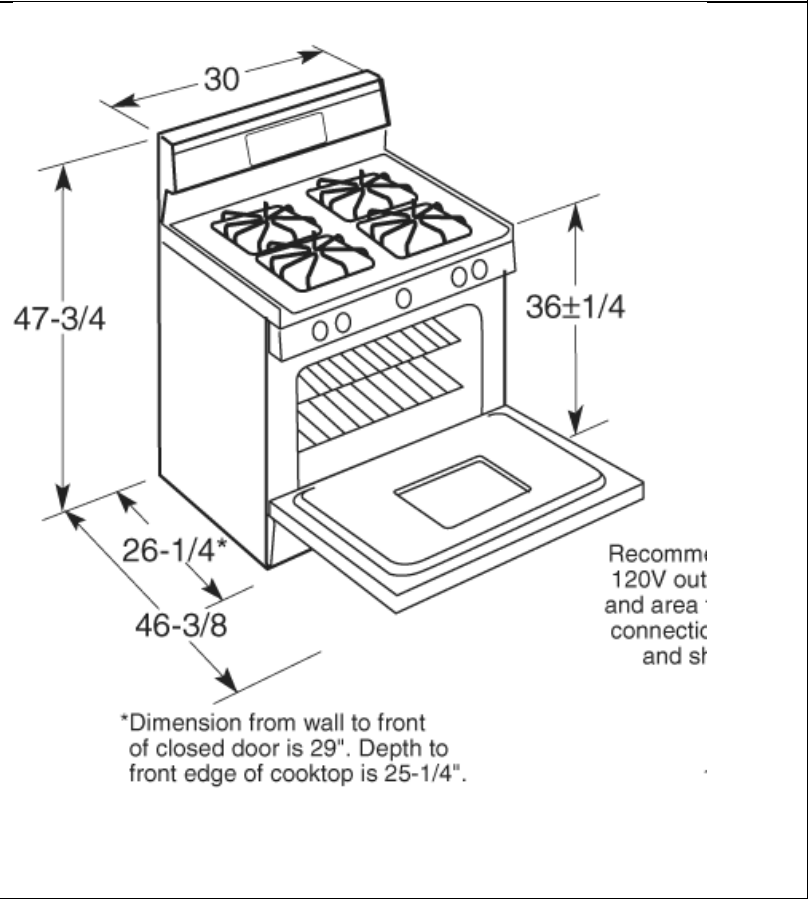


Draw a **BLOCK** (using CAD) to represent each item listed below. Locate actual size of each item on the internet or in the textbook. SET YOUR UNITS TO **ARCHITECTURAL** BEFORE STARTING CAD DRAWINGS.

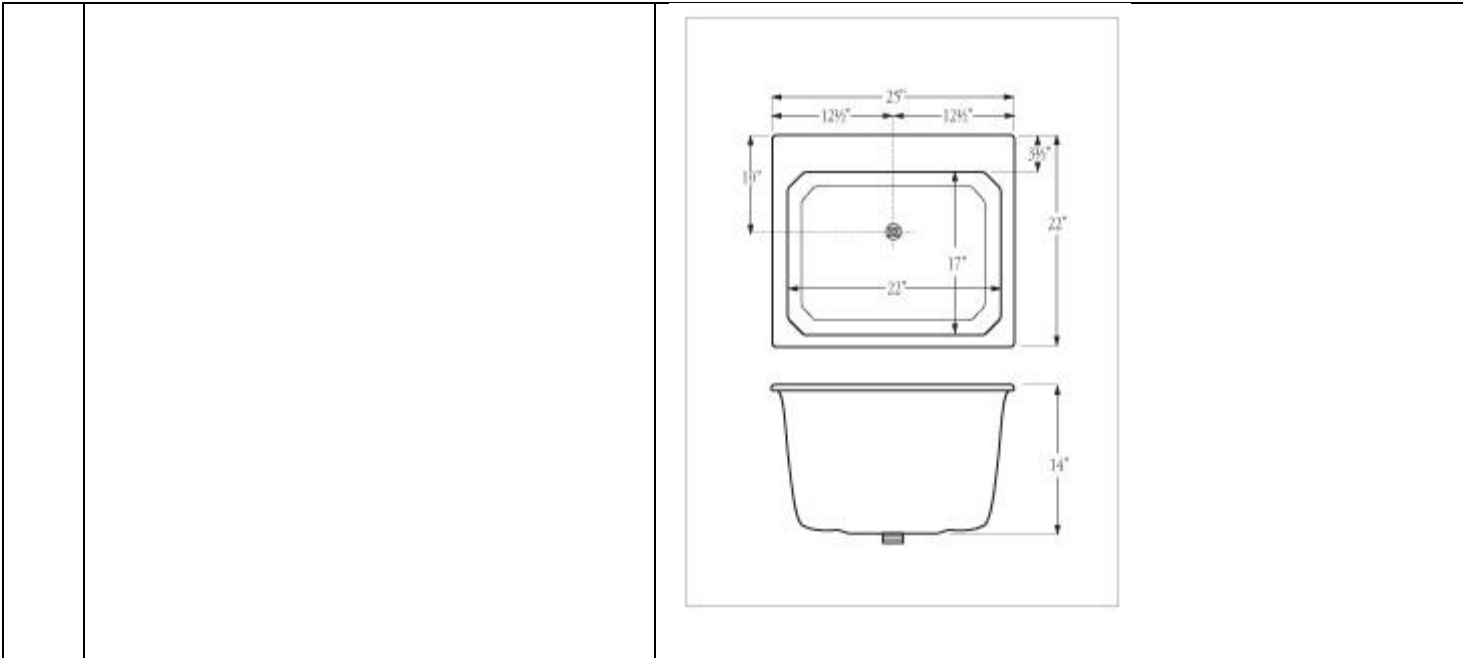
	Items need for FLOOR PLAN	Reference Drawing (sketch)
1	<b>18" Door swing</b> (linen closet door)	 <p>18" wide opening</p>
2	<b>24" Door swing</b> (bathroom door)	 <p>24" wide opening</p>
3	<b>30" Door swing</b> (bedroom door)	 <p>30" wide opening</p>
4	<b>36" Door swing</b> (exterior door)	 <p>36" wide opening</p>
5	<b>6' French door</b> (exterior or interior door)	 <p>6' wide opening (2 – 3' doors)</p>
6	<b>4' Bifold door</b> (closet)	 <p>4' wide opening</p>
7	<b>24" Bifold door</b> (closet/linen closet door)	
8	<b>24" Pocket door</b> (bathroom door)	
9	<b>Double kitchen sink</b>	



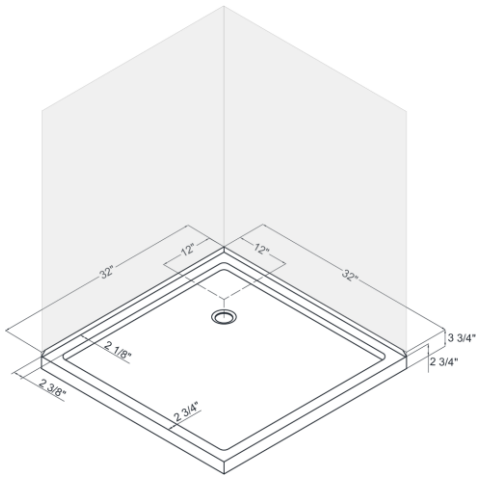
10 **Stove**



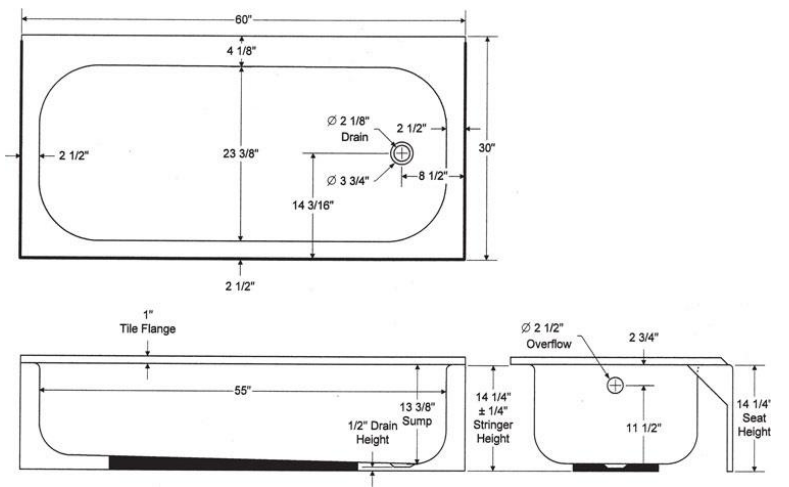
11 **Utility sink**



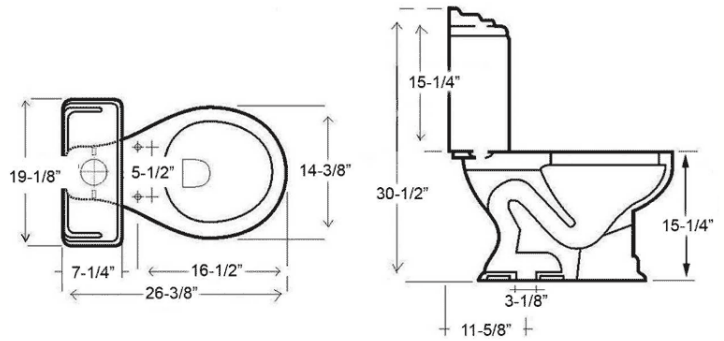
12 Shower stall



13 Tub



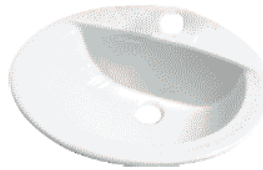
14 Toilet (show centerline of toilet on block)



► 12" Rough ► Footprint: 10" x 17 1/2"

Dimensions of fixture are nominal and may vary within the range of tolerances established by ASME Standard A112.19.2-2008. Dimensions and specifications subject to change without notice.

15 Bathroom sink



W: 20 7/8"  
D: 17"  
H: 8 3/4"  
Flange: 1 3/8"

**Interior Dimensions:**

Basin Interior: 16 3/4" x 11 1/4"  
Basin Depth: 6 1/2"  
Faucet and spout holes: 1 3/8"

