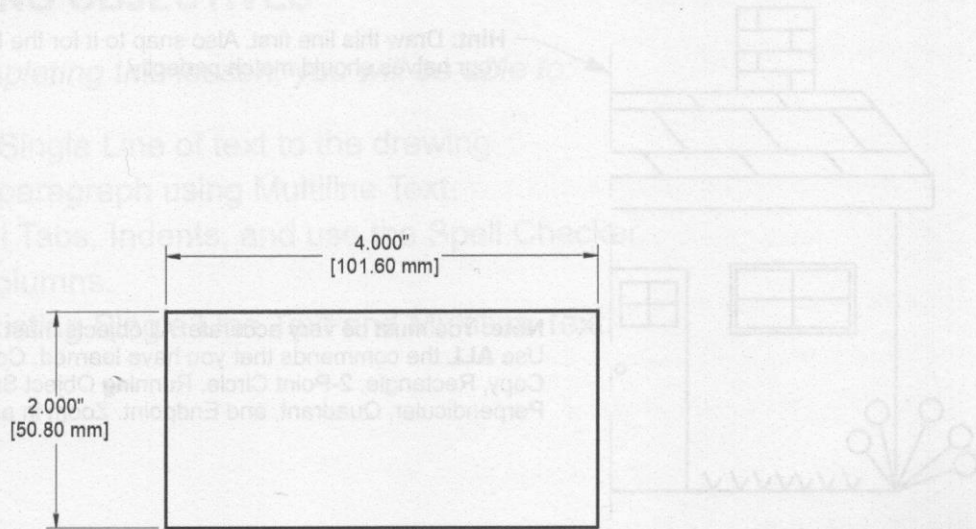


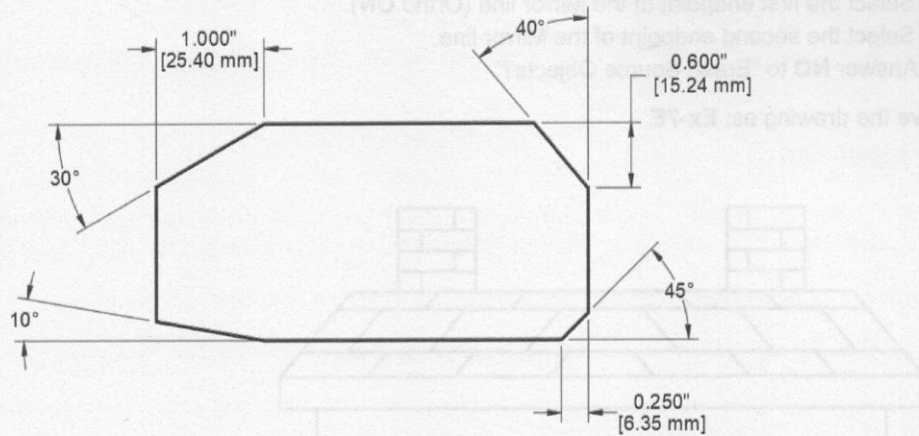
Exercise 7D

Instructions:

1. Start a **New** file using either the **inch-helper.dwt** or the **metric-helper.dwt**
2. Draw the rectangle shown below.
3. Chamfer the corners using the **Chamfer** command.
4. **Save** the drawing as: **Ex-7D**



Before Chamfer



After Chamfer